

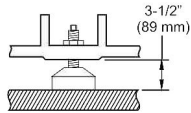


MSO SEAL PRO 600 PRODUCT OVERVIEW

CNC Lathe, 15" x 21" (381 x 533 mm) max capacity, 31.75" (806 mm) swing, 20 hp (14.9 kW) vector drive, 4000 rpm, A2-6 spindle, 8.3" (210 mm) chuck, 12-station bolt-on turret, 15" color LCD monitor, memory lock keyswitch, USB port and rigid tapping. Standard toolholder kit included with BOT or Hybrid turret.

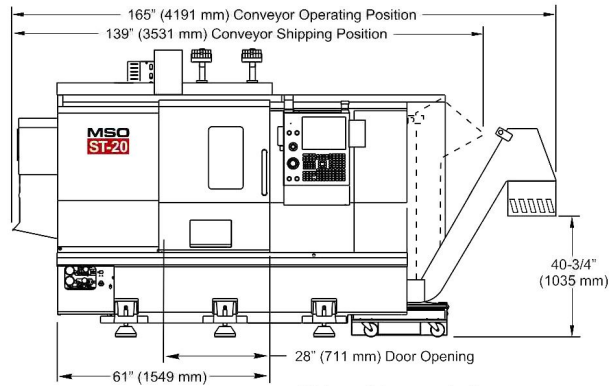
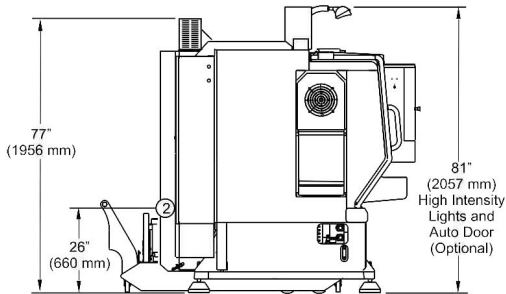
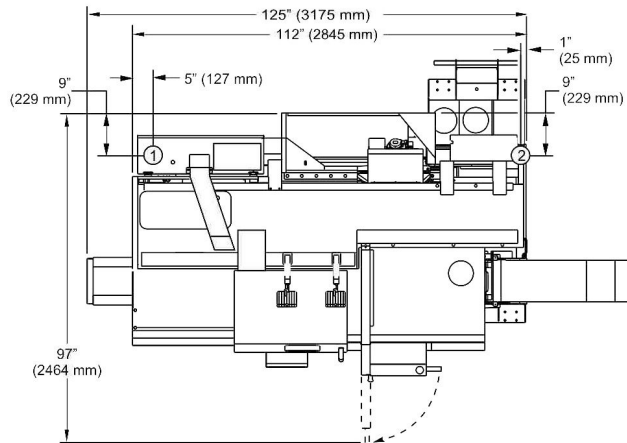
SWING DIAMETER	S.A.E.	Metric
Over Front Apron	31.75 "	806 mm
Over Cross Slide	20.75 "	527 mm
Over Tailstock	23.0 "	584 mm
CAPACITIES	S.A.E.	Metric
Chuck Size	8.3 "	210 mm
Max Cutting Diameter	15.0 "	381 mm
Max Cutting Length	21 "	533 mm
Bar Capacity	2.0 "	51 mm
TRAVELS & FEEDRATES	S.A.E.	Metric
X Axis	9.3 "	236 mm
Z Axis	21.0 "	533 mm
Rapids on X	945 in/min	24.0 m/min
Rapids on Z	945 in/min	24.0 m/min
Max Thrust X	4100 lb	18238 N
Max Thrust Z	5100 lb	22686 N

SPINDLE	S.A.E.	Metric
Max Rating	20 hp	14.9 kW
Max Speed	4000 rpm	4000 rpm
Max Torque	150 ft-lb @ 500 rpm	203 Nm @ 500 rpm
Spindle Nose	A2-6	A2-6
Spindle Bore ø	3.50 "	88.9 mm
TURRET	S.A.E.	Metric
Number of Tools	12	12
GENERAL	S.A.E.	Metric
Air Required	4 scfm, 100 psi	113 L/min, 6.9 bar
Coolant Capacity	48 gal	182 L
Machine Weight	9000 lb	4082 kg



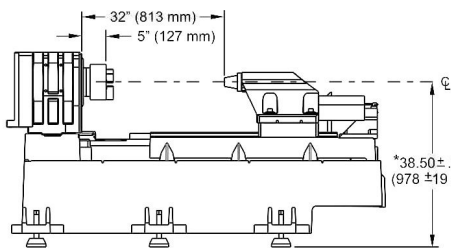
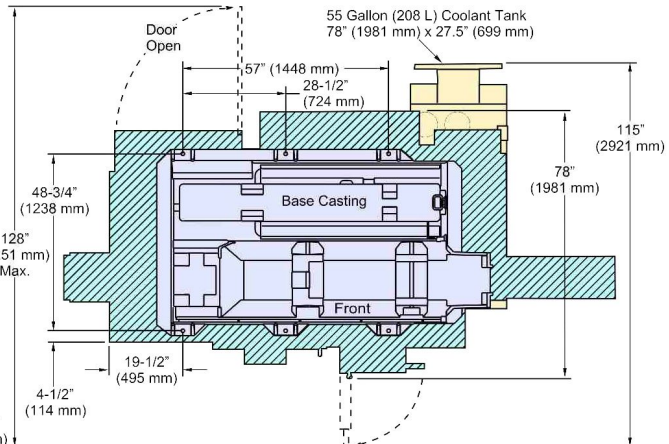
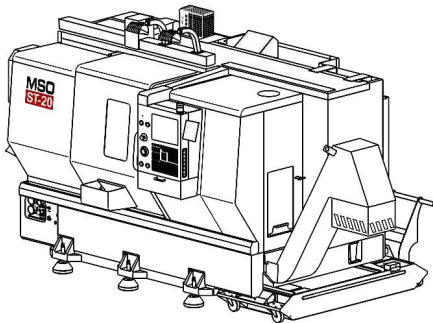
6X Leveling Pad Pin Dimension

- ① Electrical Connection
- ② Air Connection

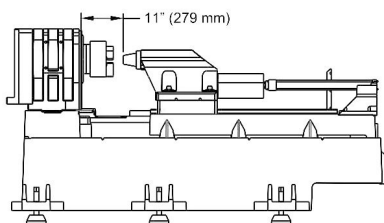


Minimum distance required to remove conveyor from lathe 124" (3150 mm).

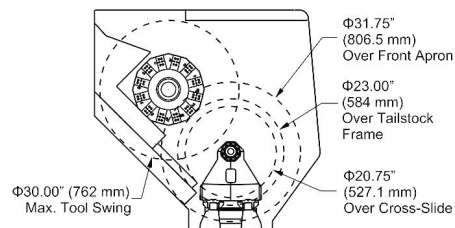
Minimum distance required to remove conveyor from lathe 75" (1905 mm) when conveyor is folded at 90 degrees and folded down as it is pulled out.



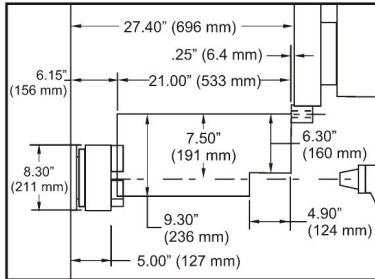
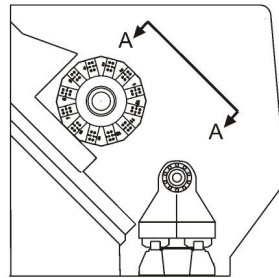
*Spindle center heights from floor, may vary due to leveling screw adjustments.



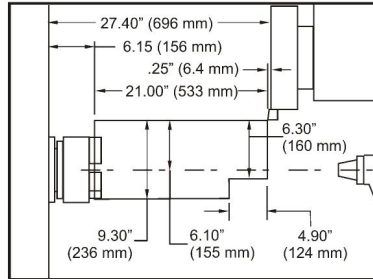
Tailstock Travel
#4 Morse Taper



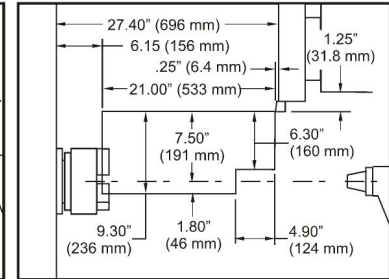
Tool Swing Envelope
Turret at Home Position
12-Station BOT Turret Standard
12-Station VDI Turret Standard in HAE only



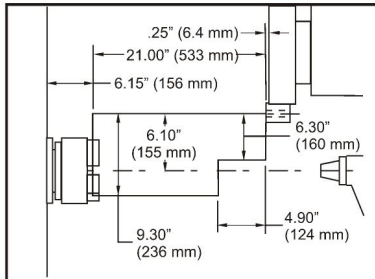
BOT ID



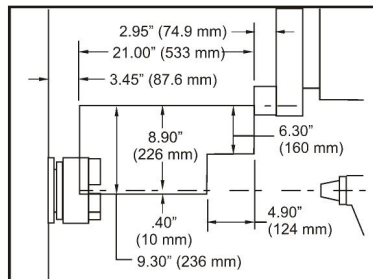
VB12 OD



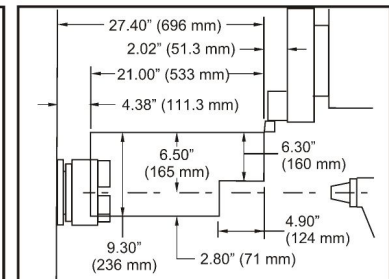
BOT OD



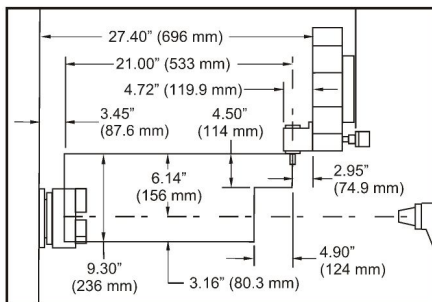
VB12 BOT ID



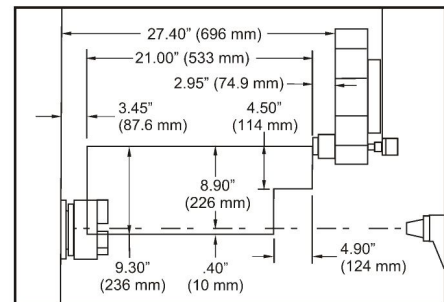
VDI ID, VB12 VDI ID



VDI OD, VB12 VDI OD



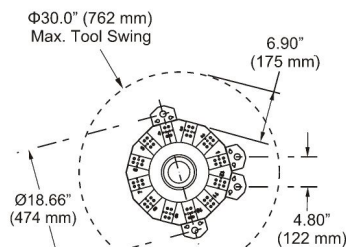
LIVE RADIAL TOOL



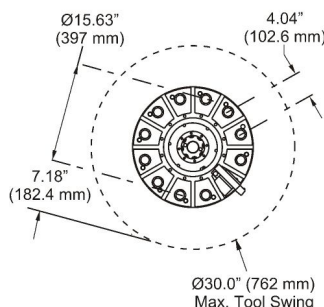
LIVE AXIAL TOOL

View A-A

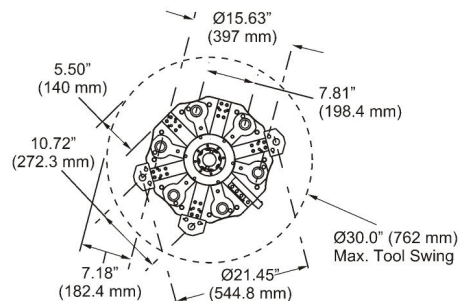
Cut Envelope Diagrams



12-Station BOT Turret Standard



12-Station VDI Turret Option



12-Station Hybrid VB12 Turret Option